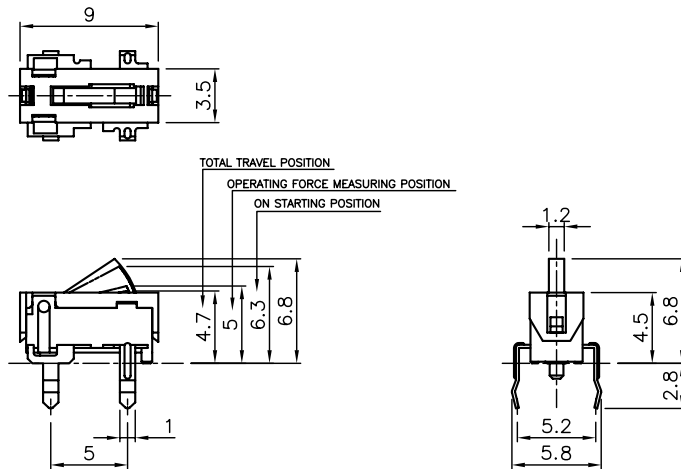
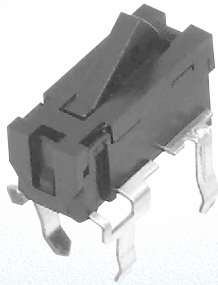
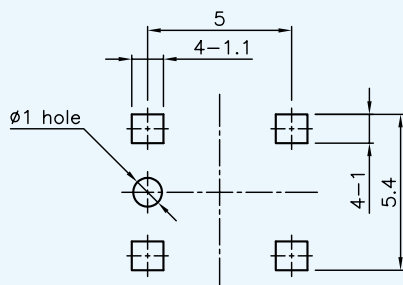


PPD124



| Description | | Model | PPD124SS |
|-----------------------|------|-------|---|
| Operating Force (max) | | | 30gf |
| Poles – Throws | | | 1C - 1P |
| Life Cycle (min) | | | 100,000 |
| Rating (max) | | | 1mA, 5V DC |
| Stroke (mm) | | | 2±0.5 |
| Contact Resistance | | | 100 mΩ max |
| Timing | | | Deep soldering, Wide variety of operation |
| Packaging | Bulk | | 500 pcs / Bag |

P.C.B Layout



Circuit Diagram

