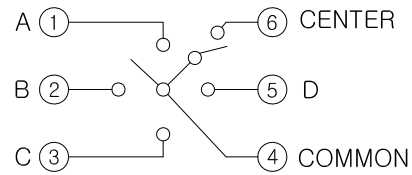
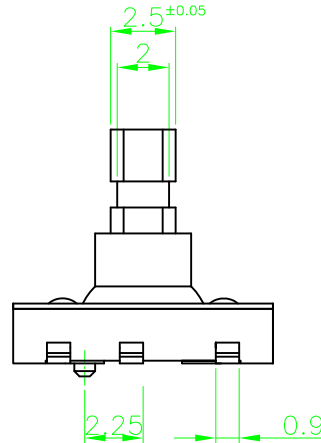
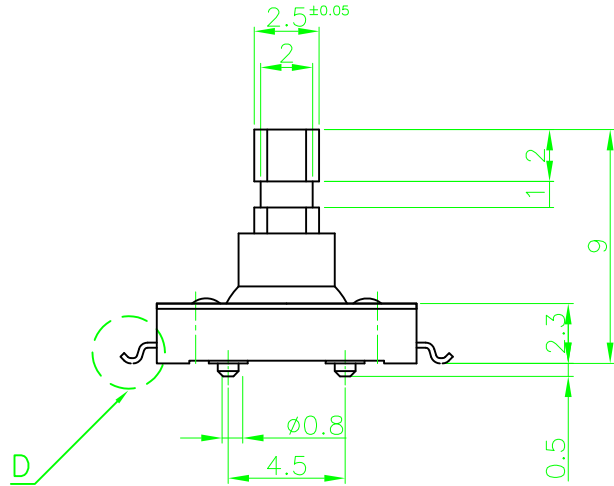
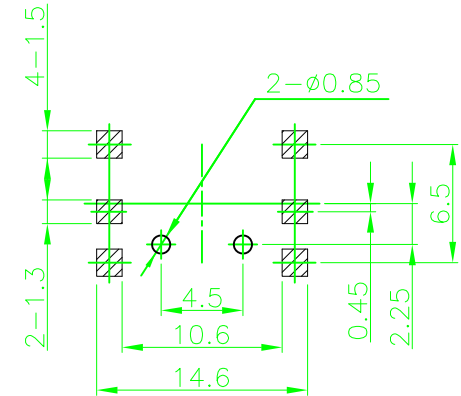


CIRCUIT DIAGRAM



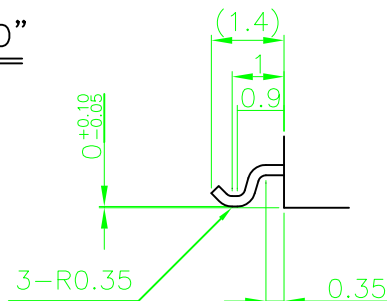
P.C.B LAND PATTERN


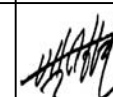


SPECIFICATION

1. RATING : 12V DC, 50mA Max.
2. STROKE : CENTER PUSH : 0.2±0.1
3. CONTACT RESISTANCE: 100mΩ Max.
4. OPERATING FORCE :
 - 4-DIRECTIONAL : 100±30gf
 - CENTER PUSH : 320±70gf
5. OPERATING ANGLE : 4°± $\frac{3}{2}$
6. BOUNCE : 10msec
7. LIFE : 100,000 CYCLES
8. TOLERANCE : ±0.2

DETAIL "D"



									TS-V-028	
									TS-R-015	
PART NO.		MODEL		MATERIAL		SPECIFICATION		TREATMENT		REPERENCE
				TRIGONO-METRY		UNIT m/m	SCALE	USER		TACT SWITCH
				APPROVAL		CHECK	DESIGN	TITLE		STF551SC
							J.W.CHOI 2006. 1. 16	DWG NO.		
MARK	DATE	APPR.	CHECK							DESIGN