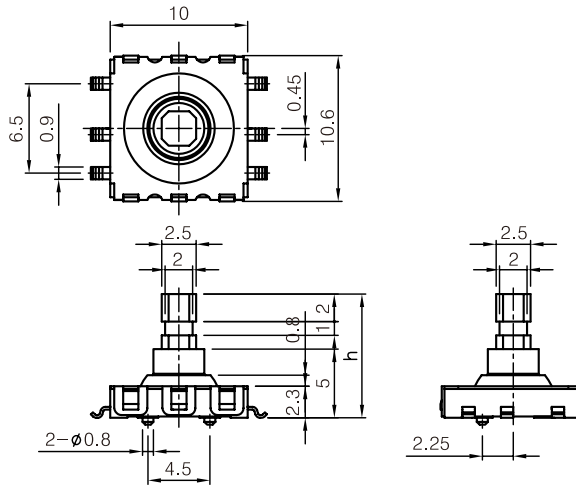
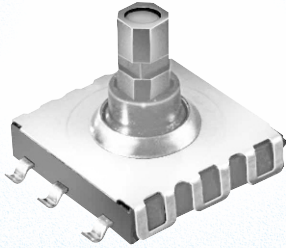


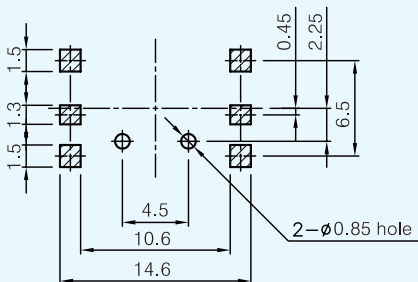
STF551



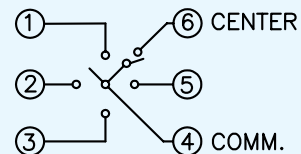
Type	h	Stem
A	5	
B	7	
C	9	

Description		Model	STF551SA	STF551SB	STF551SC
Operating Force (gf)			4 - Direction : 220 ± 70 Center Push : 320 ± 70	4 - Direction : 180 ± 50 Center Push : 320 ± 70	4 - Direction : 120 ± 30 Center Push : 320 ± 70
Life Cycle (min)			100,000		
Rating (max)			50mA, 12V DC		
Angle			$4^{\circ} \begin{matrix} +3^{\circ} \\ -2^{\circ} \end{matrix}$		
Stroke (mm)			Center Push : 0.2 ± 0.1		
Contact Resistance			100 mΩ max		
Features			Multi function, Thin type, Reflow soldering		
Packaging	Bulk		500 pcs / Bag		
	Reel		650 pcs / Reel	550 pcs / Reel	300 pcs / Reel

P.C.B Layout



Circuit Diagram



Tape Packaging

