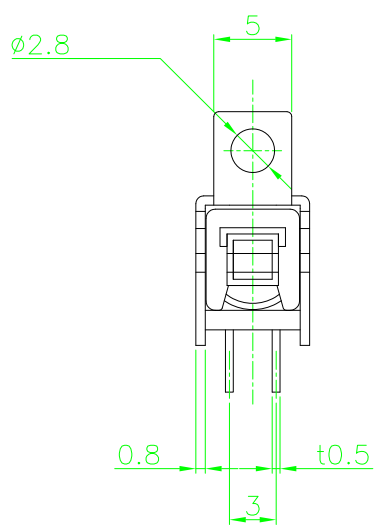
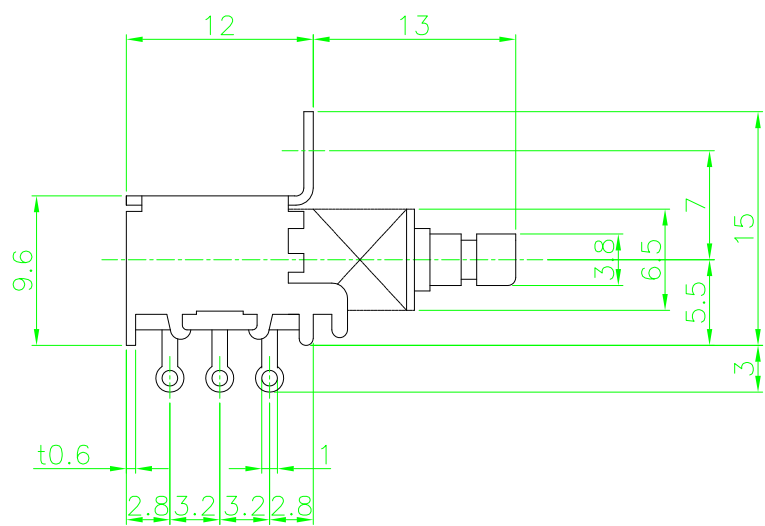
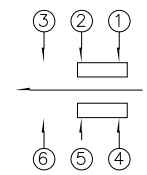
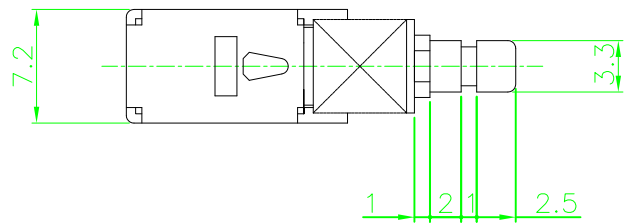


CIRCUIT DIAGRAM



SPECIFICATION

1. RATING : 30V DC, 0.2A Max.
2. CIRCUIT : 2C- 2P
3. MECHANISM : SELF LOCK
4. TIMING : NON SHORTING
5. STROKE : FULL : 3.5
 LOCK : 2.5
6. OPERATING FORCE : 300±100gf.
7. TOLERANCE : ±0.2

									PS-S-002	
PART NO.		MODEL		MATERIAL		SPECIFICATION		TREATMENT	REFERENCE	
				TRIGONO	UNIT	SCALE	USER	PUSH SWITCH		
				-METRY	m/m					
				APPROVAL	CHECK	DESIGN	TITLE	PPL222LN-H		
						J.W.CHOI				
MARK	DATE	APPR.	CHECK		DESIGN		2005.11.1	DWG NO.		