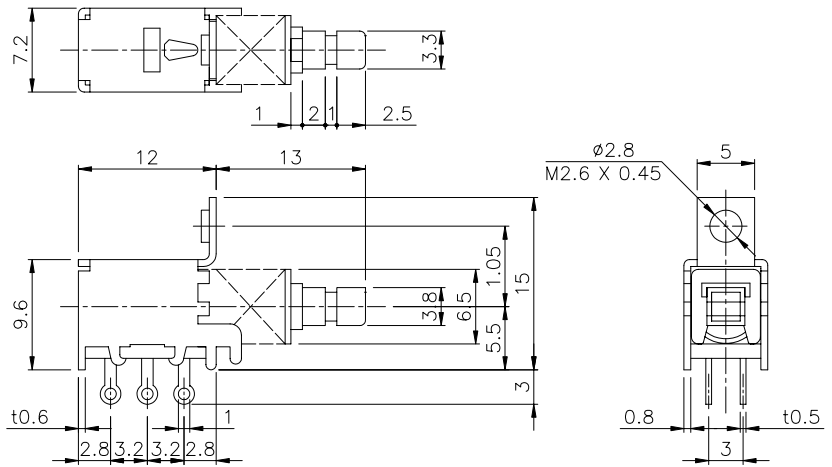
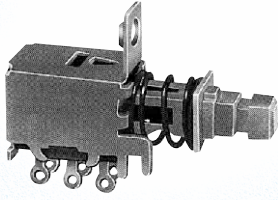


## PPL222



Description		Model	PPL222LN
Operating Force (gf)			300±100
Poles – Throws			2C - 2P
Life Cycle (min)			10,000
Rating (max)			0,2A, 30V DC
Stroke (mm)			Full : 3,5, Lock : 2,5
Contact Resistance			30 mΩ max
Operation Mode			Self lock, Non lock
Timing			Shorting or Non shorting
Packaging	Bulk		300 pcs / Bag

## Circuit Diagram

