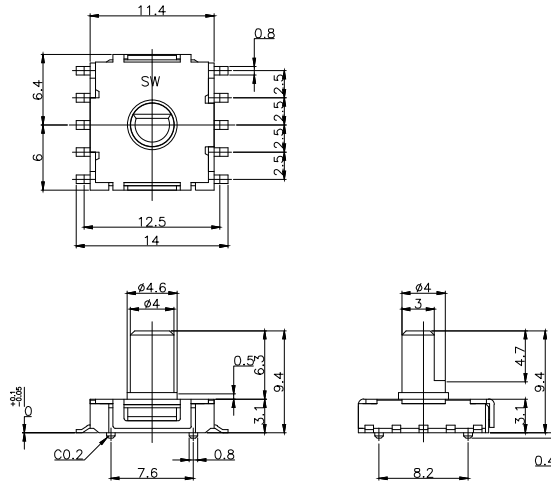
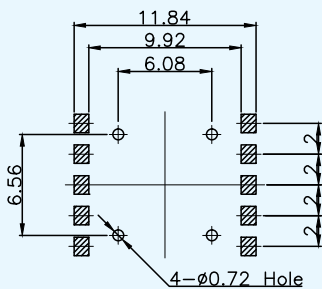


SRS192

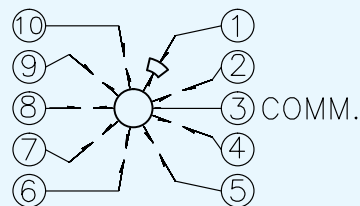


Description		Model	SRS192OS	SRS191NS
Rotational Torque(gf.cm)			60±30	130±50
Poles - Throws			1C - 9P	
Stem Color			Black	Gray
Life Cycle (min)			10,000	
Rating (max)			0.1A, 16V DC	
Step Angle			40°	
Contact Resistance			50 mΩ max	
Features			Signal changer, Low profile, Reflow soldering	
Packaging	Bulk			
	Reel			

P.C.B Layout



Circuit Diagram



Tape Packaging