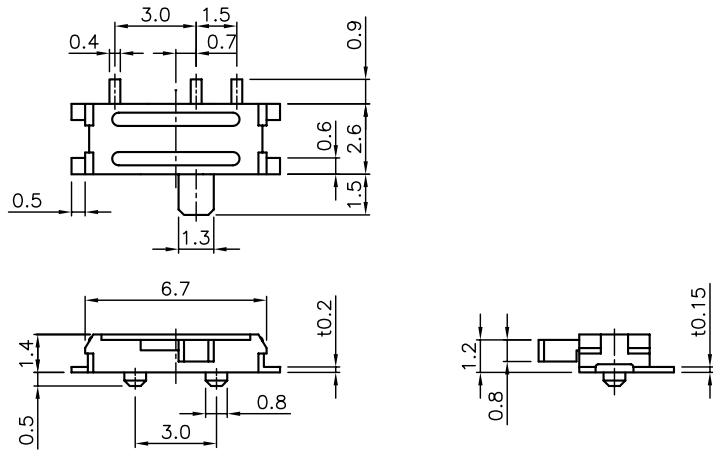
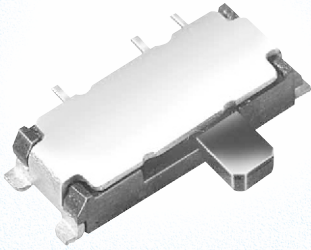
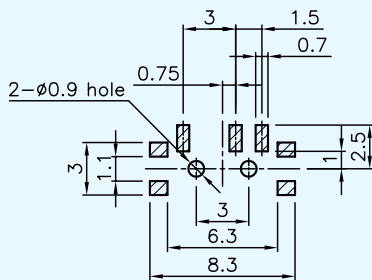


SSS120

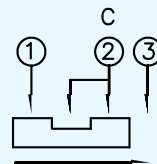


Description		Model	SSS120SS
Operating Force (gf)			150±100
Poles – Throws			1C - 2P
Life Cycle (min)			10,000
Rating (max)			0.3A, 6V DC
Stroke (mm)			1.5
Timing			Not specified
Contact Resistance			70 mΩ max
Features			Miniature side SMD, Reflow soldering, Ground
Packaging	Bulk		1,000 pcs / Bag
	Reel		3,500 pcs / Reel

Layout



Circuit Diagram



Tape Packaging

