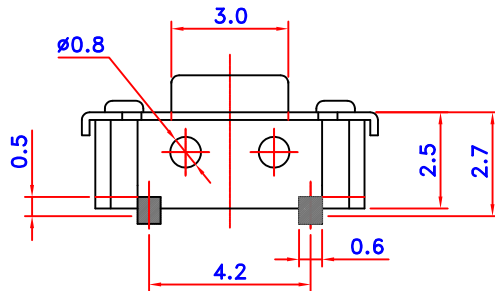
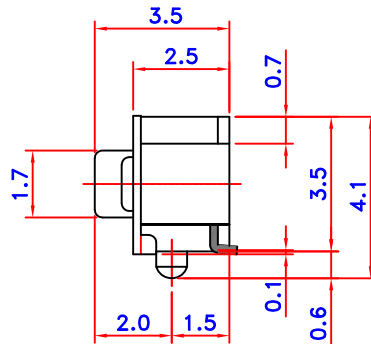
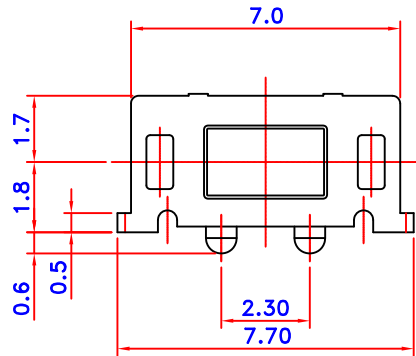
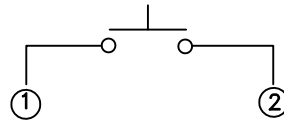
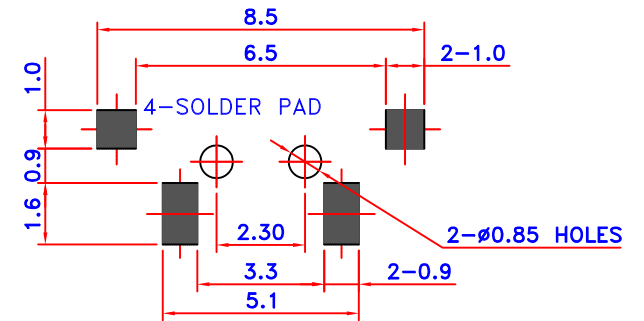


CIRCUIT DIAGRAM



P.C.B LAND PATTERN



SPECIFICATION

1. RATING : 12V DC, 50mA Max.
2. STROKE : 0.25±0.1
3. CONTACT RESISTANCE : 100mΩ Max.
4. OPERATING FORCE : 260±50gf.
5. BOUNCE : 10msec Max.
6. LIFE : 30,000 Cycles Min.
7. TOLERANCE : ±0.2

PART NO.		MODEL		MATERIAL		SPECIFICATION		TREATMENT	REFERENCE
				TRIGONO	UNIT	SCALE	USER	TACT SWITCH	
				-METRY	m/m				
				APPROVAL	CHECK	DESIGN	TITLE	STH112A	
						M.K.JUNG	DWG NO.		
MARK	DATE	APPR	CHECK		DESIGN	2011.05.30			