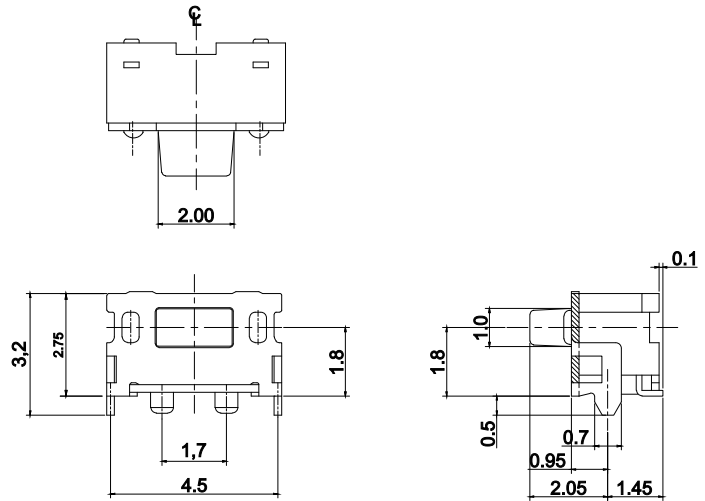
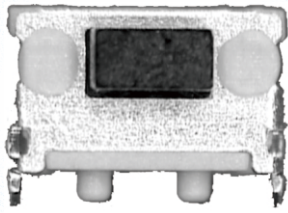
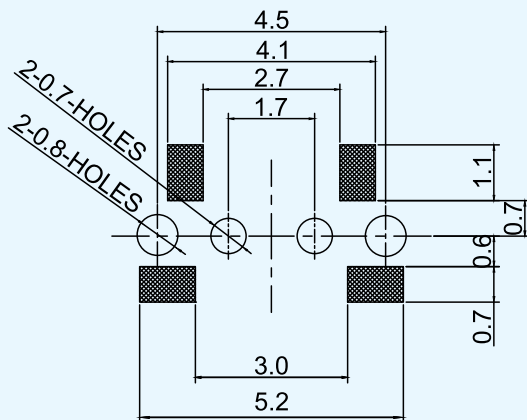


STH116JS



Description		Model	STH116JS
Operating Force (gf)			180±50
Stem Color			Black
Life Cycle (min)			50,000
Rating (max)			50mA, 12V DC
Stroke (mm)			0.2±0.1
Contact Resistance			100 mΩ max
Features			Economical SMD, Reflow Solering
Packaging	Bulk		2,500pcs/Bag
	Reel		2,500pcs/Reel

P.C.B Layout



Circuit Diagram

