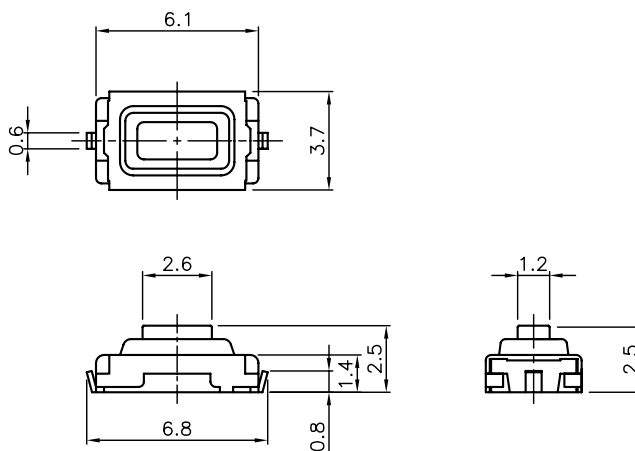
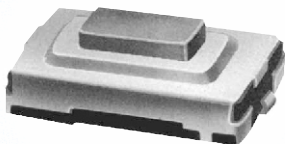
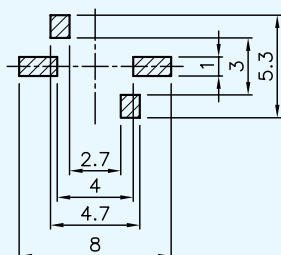


STM156

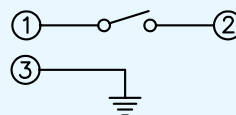


| Description | | Model | STM156NS | STM156JS | STM156SS | STM156HS |
|----------------------|------|-------|---|----------|----------|----------|
| Operating Force (gf) | | | 130±30 | 160±30 | 200±50 | 260±50 |
| Stem Color | | | Black | Blue | Gray | Red |
| Life Cycle (min) | | | 50,000 | 50,000 | 30,000 | 30,000 |
| Rating (max) | | | 50mA, 12V DC | | | |
| Stroke (mm) | | | 0,25±0.1 | | | |
| Contact Resistance | | | 100 mΩ max | | | |
| Ground Terminal | | | With & Without | | | |
| Features | | | Dust proof, Thin type, Reflow soldering | | | |
| Packaging | Bulk | | 1,000 pcs / Bag | | | |
| | Reel | | 3,000 pcs / Reel | | | |

P.C.B Layout



Circuit Diagram



Tape Packaging

