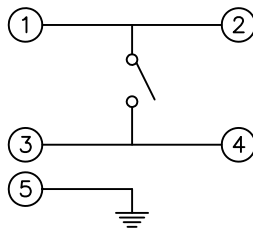
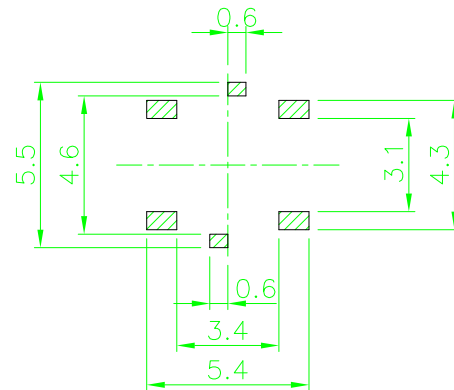


CIRCUIT DIAGRAM

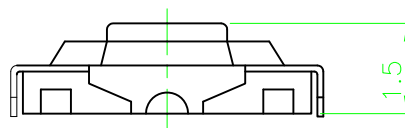




P.C.B LAND PATTERN



SPECIFICATION

1. RATING : 12V DC, 50mA Max.
2. STROKE : 0.25±0.1
3. CONTACT RESISTANCE : 100mΩ Max.
4. OPERATING FORCE : 160±30gf.
5. BOUNCE : 10msec Max.
6. LIFE : 1,000,000 Cycles Min.
7. TOLERANCE : ±0.2
8. CHARACTERISTICS : DUST&MOISTURE PROOF



									TS-V-025	
									TS-R-011	
PART NO.		MODEL		MATERIAL		SPECIFICATION		TREATMENT		REFERENCE
				TRIGONOMETRY		UNIT	SCALE	USER		TACT SWITCH
				APPROVAL		m/m	DESIGN	TITLE		STM157JS
							J.W. CHOI	DWG NO.		
MARK		DATE		APPR.		CHECK		DESIGN		2005. 12. 12