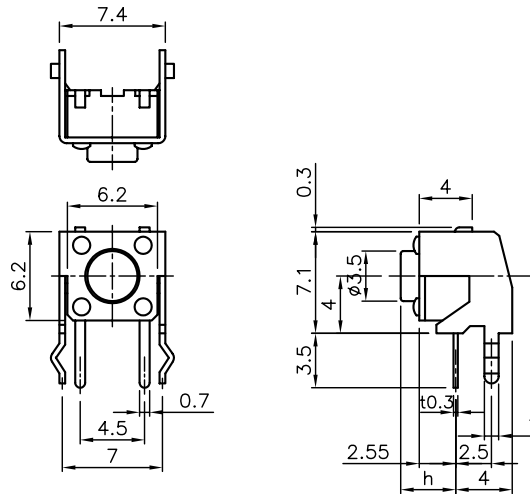
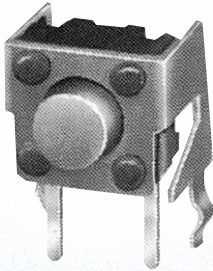


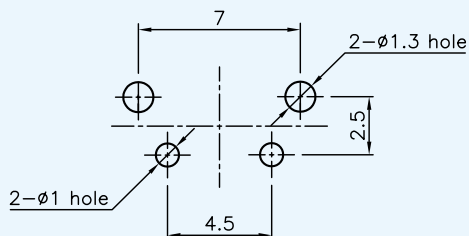
## PTH116



| Type | h     | Stem |
|------|-------|------|
| E    | 3.15  |      |
| G    | 3.85  |      |
| H    | 5.85  |      |
| L    | 3.15  |      |
| Q    | 15.85 |      |
| I    | 6.15  |      |

| Description                 | Model       | PTH116NE          | PTH116JE | PTH116SE | PTH116HE |
|-----------------------------|-------------|-------------------|----------|----------|----------|
| <b>Operating Force (gf)</b> |             | 130±30            | 160±30   | 200±50   | 260±50   |
| <b>Stem Color</b>           |             | Black             | Blue     | Gray     | Red      |
| <b>Life Cycle (min)</b>     |             | 300,000           | 150,000  | 100,000  | 100,000  |
| <b>Rating (max)</b>         |             | 50mA, 12V DC      |          |          |          |
| <b>Stroke (mm)</b>          |             | 0.25±0.1          |          |          |          |
| <b>Contact Resistance</b>   |             | 100 mΩ max        |          |          |          |
| <b>Features</b>             |             | Economical design |          |          |          |
| <b>Packaging</b>            | <b>Bulk</b> | 1,000 pcs / Bag   |          |          |          |

### P.C.B Layout



### Circuit Diagram

