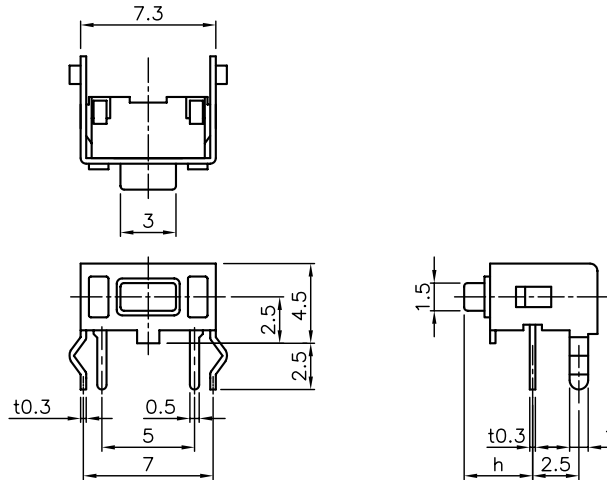
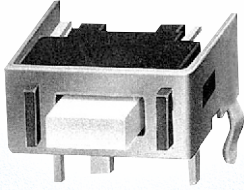


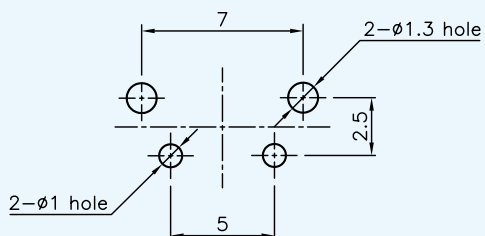
PTH117



Type	h
E	3.15
F	3.72

Description		Model	PTH117NE	PTH117JE	PTH117SE	PTH117HE
Operating Force (gf)			130±30	160±30	200±50	260±50
Stem Color			Black	Blue	Gray	Red
Life Cycle (min)			50,000	50,000	30,000	30,000
Rating (max)			50mA, 12V DC			
Stroke (mm)			0.25±0.1			
Contact Resistance			100 mΩ max			
Features			Right angle, Ground			
Packaging	Bulk		1,000 pcs / Bag			

P.C.B Layout



Circuit Diagram

