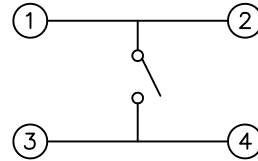
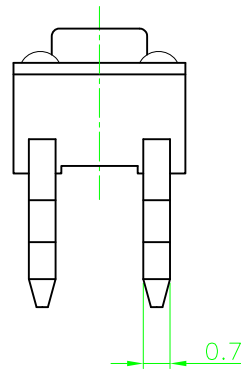
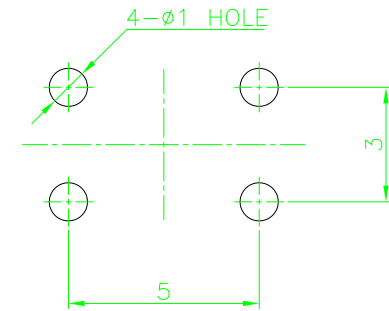


CIRCUIT DIAGRAM



P.C.B MOUNTING HOLE



SPECIFICATION

1. RATING : 12V DC, 50mA Max.
2. STROKE : 0.25 ± 0.1
3. CONTACT RESISTANCE : $100m\Omega$ Max.
4. OPERATING FORCE : $130 \pm 30gf$.
5. BOUNCE : 10 msec Max.
6. LIFE : 50,000 Cycles Min.
7. TOLERANCE : ± 0.2

											TS-V-017
PART NO.		MODEL			MATERIAL		SPECIFICATION		TREATMENT		REFERENCE
					TRIGONO -METRY	UNIT m/m	SCALE	USER	TACT SWITCH		
					APPROVAL	CHECK	DESIGN	TITLE	PTM112NS		
						M.K.JUNG	J.W.CHOI	DWG NO.			
MARK	DATE	APPR.	CHECK	DESIGN		2005. 5. 4	2005. 5. 4				