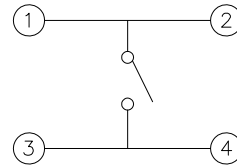
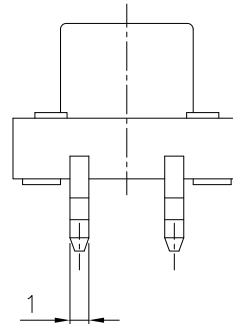
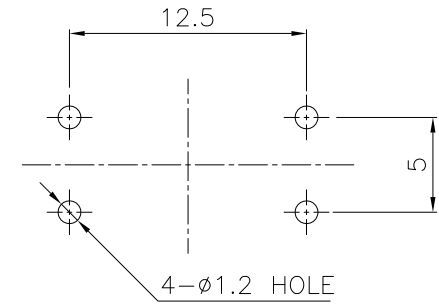


CIRCUIT DIAGRAM




P.C.B MOUNTING HOLE



SPECIFICATION

1. RATING : 12V DC, 50mA Max.
2. STROKE :  $0.3 \pm 0.1$
3. CONTACT RESISTANCE :  $100m\Omega$  Max.
4. OPERATING FORCE :  $260 \pm 50gf$ .
5. BOUNCE : 10msec Max.
6. LIFE : 100,000 Cycles Min.
7. TOLERANCE :  $\pm 0.2$

|          |      |       |       |        |   |       |               |  |           |  |             |  |
|----------|------|-------|-------|--------|---|-------|---------------|--|-----------|--|-------------|--|
|          |      |       |       |        |   |       |               |  |           |  | TS-V-009    |  |
| PART NO. |      | MODEL |       |        | MATERIAL  |       | SPECIFICATION |  | TREATMENT |  | REFERENCE   |  |
|          |      |       |       |        | TRIGONO   | UNIT  | SCALE         |  | USER      |  | TACT SWITCH |  |
|          |      |       |       |        | -METRY  | m/m   |               |  |           |  |             |  |
|          |      |       |       |        | APPROVAL  | CHECK | DESIGN        |  | TITLE     |  | PTM118HM    |  |
|          |      |       |       |        |  |       | J.W. CHOI     |  |           |  |             |  |
| MARK     | DATE | APPR. | CHECK | DESIGN |   |       |               |  | 2005.5. 4 |  | DWG NO.     |  |