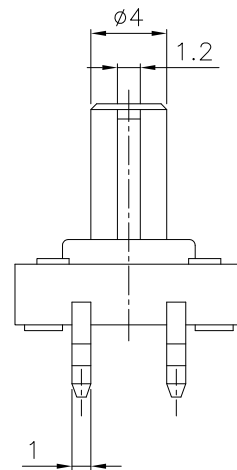
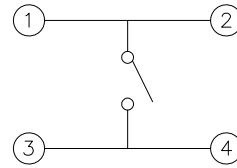
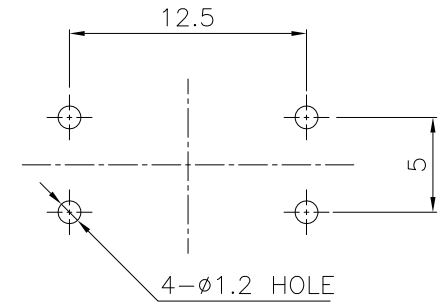


CIRCUIT DIAGRAM



P.C.B MOUNTING HOLE



SPECIFICATION

1. RATING : 12V DC, 50mA Max.
2. STROKE : 0.3±0.1
3. CONTACT RESISTANCE : 100mΩ Max.
4. OPERATING FORCE : 260±50gf.
5. BOUNCE : 10msec Max.
6. LIFE : 100,000 Cycles Min.
7. TOLERANCE : ±0.2

											TS-V-009
PART NO.		MODEL			MATERIAL		SPECIFICATION		TREATMENT	REFERENCE	
					TRIGONO -METRY	UNIT m/m	SCALE	USER	TACT SWITCH		
					APPROVAL	CHECK	DESIGN	TITLE	PTM118HP		
							J.W. CHOI 2005.5. 4	DWG NO.			
MARK	DATE	APPR.	CHECK	DESIGN							