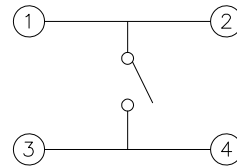
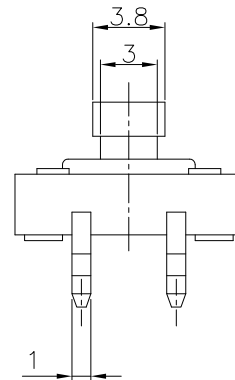
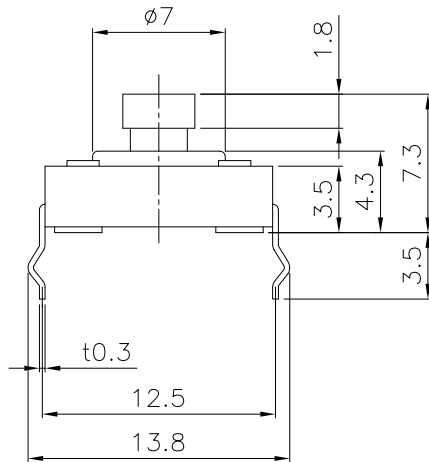
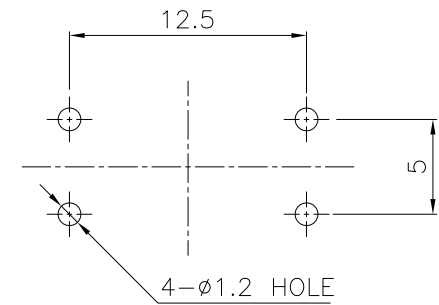


CIRCUIT DIAGRAM



P.C.B MOUNTING HOLE



SPECIFICATION

1. RATING : 12V DC, 50mA Max.
2. STROKE : 0.3±0.1
3. CONTACT RESISTANCE : 100mΩ Max.
4. OPERATING FORCE : 260±50gf.
5. BOUNCE : 10msec Max.
6. LIFE : 100,000 Cycles Min.
7. TOLERANCE : ±0.2

											TS-V-009	
PART NO.		MODEL			MATERIAL		SPECIFICATION		TREATMENT		REFERENCE	
					TRIGONOMETRY	UNIT m/m	SCALE		USER		TACT SWITCH	
					APPROVAL	CHECK	DESIGN		TITLE		PTM118HT	
							J.W. CHOI 2005.5. 4		DWG NO.			
MARK	DATE	APPR.	CHECK	DESIGN								