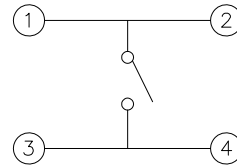
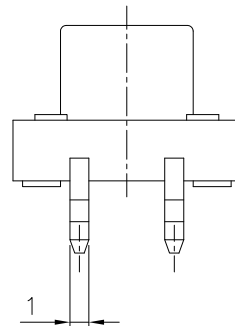
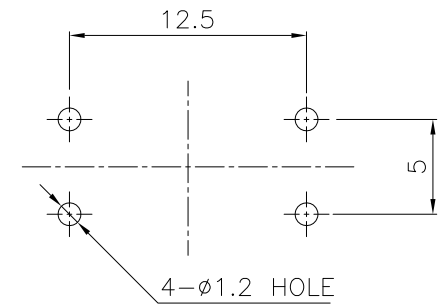


CIRCUIT DIAGRAM



P.C.B MOUNTING HOLE



SPECIFICATION

1. RATING : 12V DC, 50mA Max.
2. STROKE : 0.3 ± 0.1
3. CONTACT RESISTANCE : $100m\Omega$ Max.
4. OPERATING FORCE : $160 \pm 30gf$.
5. BOUNCE : 10msec Max.
6. LIFE : 500,000 Cycles Min.
7. TOLERANCE : ± 0.2

											TS-V-008
PART NO.		MODEL			MATERIAL		SPECIFICATION		TREATMENT	REFERENCE	
					TRIGONO -METRY	UNIT m/m	SCALE	USER	TACT SWITCH		
					APPROVAL	CHECK	DESIGN	TITLE	PTM118JM		
							J.W. CHOI 2005.5. 4	DWG NO.			
MARK	DATE	APPR.	CHECK	DESIGN							