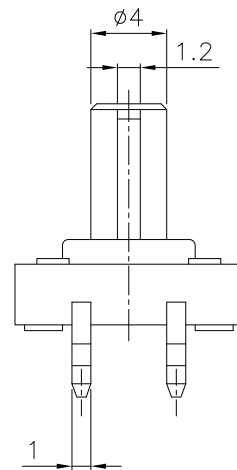
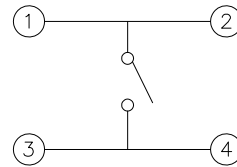
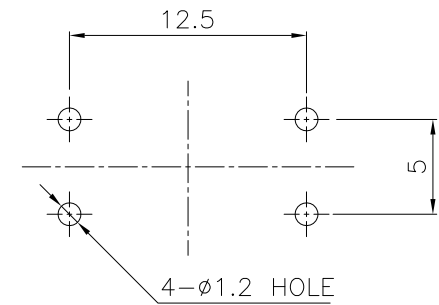


CIRCUIT DIAGRAM



P.C.B MOUNTING HOLE



SPECIFICATION

1. RATING : 12V DC, 50mA Max.
2. STROKE : 0.3±0.1
3. CONTACT RESISTANCE : 100mΩ Max.
4. OPERATING FORCE : 160±30gf.
5. BOUNCE : 10msec Max.
6. LIFE : 500,000 Cycles Min.
7. TOLERANCE : ±0.2

											TS-V-008	
PART NO.		MODEL			MATERIAL		SPECIFICATION		TREATMENT		REFERENCE	
					TRIGONO	UNIT	SCALE	USER		TACT SWITCH		
					-METRY	m/m						
					APPROVAL	CHECK	DESIGN	TITLE		PTM118JP		
							J.W. CHOI					
MARK	DATE	APPR.	CHECK	DESIGN			2005. 5. 4	DWG NO.				