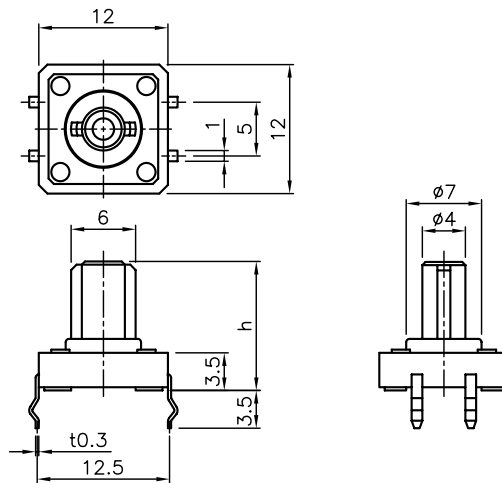
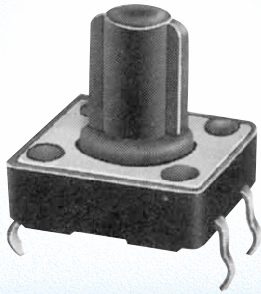


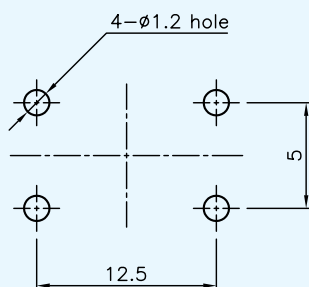
## PTM118



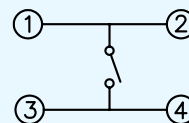
Type	h	Stem
P	12	
N	4.3	
T	7.3	
M	8.5	

Description		Model	PTM118JP	PTM118HP
Operating Force (gf)			160±30	260±50
Stem Color			Gray	Red
Life Cycle (min)			500,000	100,000
Rating (max)			50mA, 12V DC	
Stroke (mm)			0.3±0.1	
Contact Resistance			100 mΩ max	
Features			Long life, Economical design	
Packaging	Bulk		500 pcs / Bag	
	Tube		40 pcs / Tube	

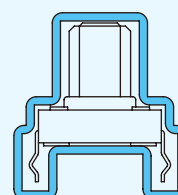
### P.C.B Layout



### Circuit Diagram



### Tube Packaging



16.8×h18.2×ℓ 510